



Torque tester SENSOTORK®

7707-1W

Art.No. **96521080**

GTIN **4018754181148**

Model **7707N-1W**

Label.

Electronic workshop tester SENSOTORK No.7707-1W N·m

Features.

Electronic testing device for torque wrenches, consisting of:

- Transducer (patented)
- Bracket
- Display device (DBGM)
- Stand for display device (with 1.5 m cable)
- Spiral cable
- Power supply (110 V-230 V with interchangeable socket adapters) or direct connection to 12 V car electrical system
- Square drive adapter (No. 7707-2W, No. 7707-2-1W, No. 7707-2-2W, No. 7707-3W)
- Mounting kit for horizontal and vertical test positions
- For clockwise and counter-clockwise measurements
- Measurement units: N·m, ft·lb, in·lb
- The easily interchangeable transducers are attached to the holder with a QuickRelease safety lock.
- Low transverse forces due to flat transducers
- Automatic detection of transducers
- Versatile and easy to use with horizontal or vertical checking positions and variable display positioning
- Additional stand with 1.5 m cable to hold the display for better optical tracking when testing long torque wrenches
- Particularly large measurement range from about 2% to 100% of the nominal value
- Software No. 7759-4 including USB adapter and phone jack cable allows the measured values to be transmitted to a PC (no additional external power source, power from the PC)
- When recalibrating the individual transducers, the test equipment remains operational on site
- Wide range of applications (-20°C to +60°C)
- Complies with DIN 51309, Class 2 and DKD-R 10-8
- With certificate
- Delivered in a sturdy plastic box

QuickRelease

Quick change and secure hold of the various transducers with the QuickRelease safety lock

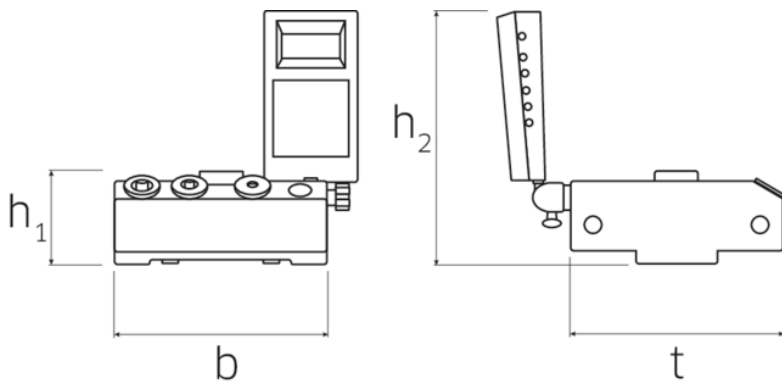
Interchangeable square adapters:

Interchangeable square adapters for different drive sizes are integrated in the mounting block for easy access

"



Technical Drawing.



Technical Attributes.

| | |
|------------------------------|------------|
| Width mm (b) | 180 mm |
| Weight with box | 9500 g |
| Height mm (h) | 170 mm |
| Height mm (h1) | 79 mm |
| Height mm (h2) | 215 mm |
| Female square drive [inches] | 1/4 " |
| Measuring range N·m | 0,4-20 N·m |
| No. | 7707-1W |
| t | 180 mm |

Logistics data.

| | |
|---------------------|-------------------------|
| Length (IFS) | 430 |
| Width (IFS) | 335 |
| Height (IFS) | 170 |
| Length (packed, mm) | 430 |
| Width (packed, mm) | 335 |
| Height (packed, mm) | 170 |
| Volume (packed, mm) | 24.4885 dm ³ |
| Artikelnummer | 96521080 |
| Weight (gross, kg) | 9,500 |
| Weight PAP (kg) | 0,016 |
| Weight PVC (kg) | 0,000 |
| GTIN | 4018754181148 |
| Country of origin | GERMANY |
| Region of origin | Nordrhein-Westfalen |
| WEEE/Electrical Act | Kleingeräte B2C |

Customs tariff no. 90318080

Numbers of content units per order units 1

Weight 6255 g

Parts list.



52100051
Recording body



81320002
Plastic case



52100050
Display unit



52110052
Spiral cable



52110056
Mains adaptor



52110051
Jack cable



52100059
Transducer in case



52100058
Transducer in case

Variants.

| Artikelnummer | Article number (ERP) | Article description (Autom.) | GTIN |
|---------------|----------------------|---|---------------|
| 96521086 | 7707-1-3W | Torque tester SENSOTORK No.7707-1-3W ¹⁾ N·m | 4018754241958 |
| 96521085 | 7707-1-2W | Torque tester SENSOTORK No.7707-1-2W N·m | 4018754241941 |
| 96521080 | 7707N-1W | Electronic workshop tester SENSOTORK No.7707-1W N·m | 4018754181148 |
| 96521072 | 7707-2W | Electronic workshop tester SENSOTORK No.7707-2W ²⁾ N·m | 4018754155781 |
| 96521083 | 7707-2-1W | Torque tester SENSOTORK No.7707-2-1W ³⁾ N·m | 4018754181162 |
| 96521084 | 7707-2-2W | Torque tester SENSOTORK No.7707-2-2W ⁴⁾ N·m | 4018754181179 |
| 96521082 | 7707N-3W | Electronic workshop tester SENSOTORK No.7707-3W ⁴⁾ N·m | 4018754181155 |

GTIN-Code.



STAHLWILLE Eduard Wille GmbH & Co. KG

Lindenallee 27 · 42349 Wuppertal · Germany · Phone: +49 202 4791-0 · Fax: +49 202 4791-200
info@stahlwille.de · www.stahlwille.com · Copyright by STAHLWILLE Eduard Wille GmbH & Co. KG, Wuppertal
Copyright by STAHLWILLE Eduard Wille GmbH & Co. KG, Wuppertal