



## Torque tester SENSOTORK®

**7707 W**

Art.No. **96521085**

GTIN **4018754241941**

Model **7707-1-2W**

### Label.

Torque tester SENSOTORK No.7707-1-2W N·m

### Features.

Electronic testing device for torque wrenches, consisting of:

- Transducer (patented)
- Bracket
- Display device (DBGM)
- Stand for display device (with 1.5 m cable)
- Spiral cable
- Power supply (110 V-230 V with interchangeable socket adapters) or direct connection to 12 V car electrical system
- Square drive adapter (No. 7707-2W, No. 7707-2-1W, No. 7707-2-2W, No. 7707-3W)
- Mounting kit for horizontal and vertical test positions
- For clockwise and counter-clockwise measurements
- Measurement units: N·m, ft·lb, in·lb
- The easily interchangeable transducers are attached to the holder with a QuickRelease safety lock.
- Low transverse forces due to flat transducers
- Automatic detection of transducers
- Versatile and easy to use with horizontal or vertical checking positions and variable display positioning
- Additional stand with 1.5 m cable to hold the display for better optical tracking when testing long torque wrenches
- Particularly large measurement range from about 2% to 100% of the nominal value
- Software No. 7759-4 including USB adapter and phone jack cable allows the measured values to be transmitted to a PC (no additional external power source, power from the PC)
- When recalibrating the individual transducers, the test equipment remains operational on site
- Wide range of applications (-20°C to +60°C)
- Complies with DIN 51309, Class 2 and DKD-R 10-8
- With certificate
- Delivered in a sturdy plastic box

**QuickRelease**

Quick change and secure hold of the various transducers with the QuickRelease safety lock

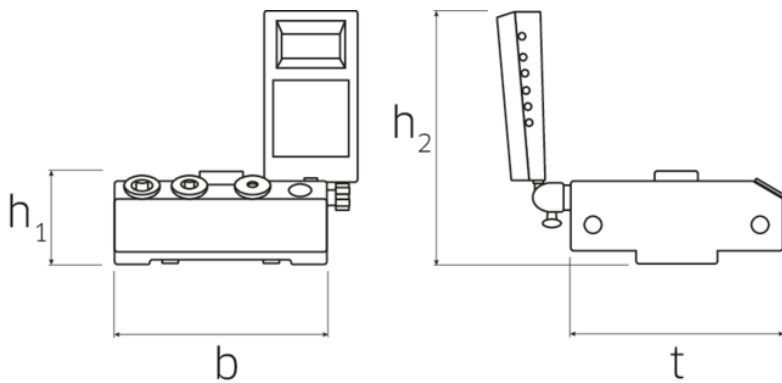
**Interchangeable square adapters:**

Interchangeable square adapters for different drive sizes are integrated in the mounting block for easy access

"



**Technical Drawing.**



**Technical Attributes.**

Width mm (b)	180 mm
Weight with box	9500 g
Height mm (h)	165 mm
Height mm (h1)	79 mm
Height mm (h2)	215 mm
Female square drive [inches]	1/4 "
Measuring range N·m	0,2-10 N·m
No.	7707-1-2W
t	180 mm

**Logistics data.**

Length (IFS)	425
Width (IFS)	330
Height (IFS)	165
Length (packed, mm)	425
Width (packed, mm)	330
Height (packed, mm)	165
Volume (packed, mm)	23.14125 dm <sup>3</sup>
Artikelnummer	96521085
Weight (gross, kg)	9,050
Weight PAP (kg)	0,198
Weight PVC (kg)	0,000
GTIN	4018754241941
Country of origin	GERMANY
Region of origin	Nordrhein-Westfalen
WEEE/Electrical Act	Kleingeräte B2C

Customs tariff no. 90318080

Numbers of content units per  
order units 1

Weight 6255 g

## Parts list.



52100051  
Recording body



81320002  
Plastic case



52100050  
Display unit



52110052  
Spiral cable



52110056  
Mains adaptor



52110051  
Jack cable



52100059  
Transducer in case



52100058  
Transducer in case

## Variants.

Artikelnummer	Article number (ERP)	Article description (Autom.)	GTIN
96521086	7707-1-3W	Torque tester SENSOTORK No.7707-1-3W <sup>1)</sup> N·m	4018754241958
96521085	7707-1-2W	Torque tester SENSOTORK No.7707-1-2W N·m	4018754241941
96521080	7707N-1W	Electronic workshop tester SENSOTORK No.7707-1W N·m	4018754181148
96521072	7707-2W	Electronic workshop tester SENSOTORK No.7707-2W <sup>2)</sup> N·m	4018754155781
96521083	7707-2-1W	Torque tester SENSOTORK No.7707-2-1W <sup>3)</sup> N·m	4018754181162
96521084	7707-2-2W	Torque tester SENSOTORK No.7707-2-2W <sup>4)</sup> N·m	4018754181179
96521082	7707N-3W	Electronic workshop tester SENSOTORK No.7707-3W <sup>4)</sup> N·m	4018754181155

## GTIN-Code.



**STAHLWILLE Eduard Wille GmbH & Co. KG**

Lindenallee 27 · 42349 Wuppertal · Germany · Phone: +49 202 4791-0 · Fax: +49 202 4791-200  
info@stahlwille.de · www.stahlwille.com · Copyright by STAHLWILLE Eduard Wille GmbH & Co. KG, Wuppertal  
Copyright by STAHLWILLE Eduard Wille GmbH & Co. KG, Wuppertal