

Service MANOSKOP® torque wrenches w.mount for insert tools

730Na/40



Art.No. 50581040
GTIN 4018754164004
Model 730NA/40

Label. Torque wrench service MANOSKOP No. 730Na/40 Measuring-R. 60-300in lb Inside square stitch size 14 x 18 mm L. 607mm

- Features.**
- mount for interchangeable insert tools
 - QuickRelease safety lock
 - can be applied for either clockwise or anticlockwise tightening by turning the inserts over
 - display deviation value $\pm 3\%$ (size 2; a/2 4 %)

Advantages.

Mount for interchangeable inserts/sockets

Product highlights.



Flexible rod principle.

Mechanical torque wrenches from STAHLWILLE have a wear-resistant trigger system with a flexible rod. In contrast to conventional torque wrenches with spiral springs, the STAHLWILLE system eliminates one key work step: once the fastener has been tightened, it is not necessary to reset the wrench to »0«.



Simple.

Quick adjustment from outside, no disassembly of the torque wrench required, with two adjustment points for the maximum & minimum values.

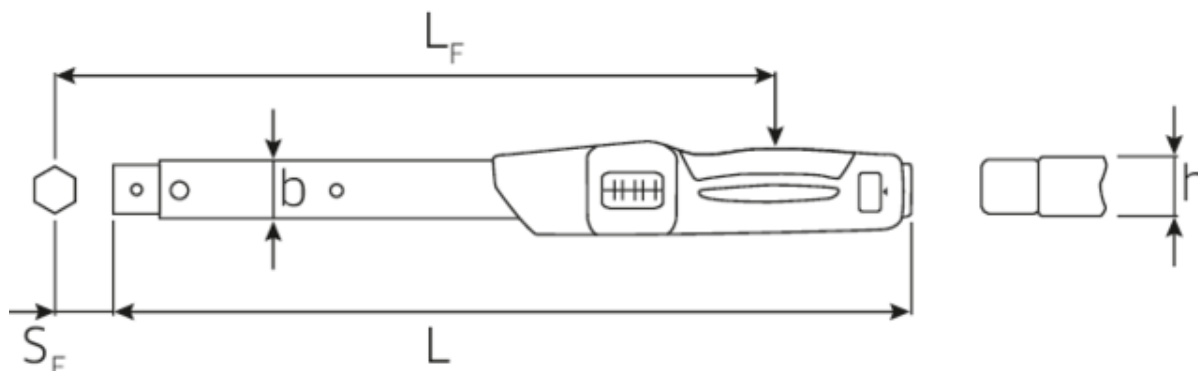


Clicking.

When the target torque is reached, MANOSKOP® 730N provides a noticeable tactile dual stop signal.

**Clear view.**

Easy-to-read dual scale with colour differentiation between the N·m and ft·lb scales to simplify fine setting.

Technical Drawing.**Technical Attributes.**

Width mm (b)	28 mm
Fine scale division	2 ft·lb
Size	a/40
Size hexagon socket [internal square]	14 x 18 mm
Height mm (h)	23 mm
Length mm (L)	607 mm
LF	564,5 mm
Measuring range ft·lb	800-3600 ft·lb
Measuring range in·lb	60-300 in·lb
SF	25 mm
Scale division [E1]	20 ft·lb
Scale division [E2]	100 in·lb

Logistics data.

Length (IFS)	633
Width (IFS)	55
Height (IFS)	55
Length (packed, mm)	633
Width (packed, mm)	55
Height (packed, mm)	55
Volume (packed, mm)	1.914825 dm ³
Artikelnummer	50581040
Weight (gross, kg)	1,925
Weight PAP (kg)	0,000
Weight PVC (kg)	0,115
GTIN	4018754164004
Country of origin	GERMANY
Region of origin	Nordrhein-Westfalen
WEEE/Electrical Act	nicht ear-pflichtig
Customs tariff no.	82041100
Numbers of content units per order units	1
Weight	1655 g

Variants.

Artikelnummer	Article number (ERP)	Article description (Autom.)	GTIN
50181002	730N/2	Torque wrench service MANOSKOP No. 730N/2 Measuring-R. 2-20N·m Inside square stitch size 9 x 12 mm L. 275mm	4018754170777
50581002	730NA/2	Torque wrench service MANOSKOP No. 730Na/2 Measuring-R. 20-180in lb Inside square stitch size 9 x 12 mm L. 275mm	4018754170784
50581102	730NA/2 40-180 INLB	Service MANOSKOP torque wrenches w.mount for insert tools No. 730NA Measuring-R. 40-180in lb Inside square stitch size 9 x 12 mm L. 275mm	4018754295326
50581040	730NA/40	Torque wrench service MANOSKOP No. 730Na/40 Measuring-R. 60-300in lb Inside square stitch size 14 x 18 mm L. 607mm	4018754164004
50581020	730NA/20	Torque wrench service MANOSKOP No. 730Na/20 Measuring-R. 350-1800in lb Inside square stitch size 14 x 18 mm L. 467mm	4018754139590
50581010	730NA/10	Torque wrench service MANOSKOP No. 730Na/10 Measuring-R. 180-900in lb Inside square stitch size 9 x 12 mm L. 386mm	4018754139576
50581005	730NA/5	Torque wrench service MANOSKOP No. 730Na/5 Measuring-R. 90-450in lb Inside square stitch size 9 x 12 mm L. 330mm	4018754139569

GTIN-Code.



STAHLWILLE Eduard Wille GmbH & Co. KG

Lindenallee 27 · 42349 Wuppertal · Germany · Phone: +49 202 4791-0 · Fax: +49 202 4791-200

info@stahlwille.de · www.stahlwille.com · Copyright by STAHLWILLE Eduard Wille GmbH & Co. KG, Wuppertal

Copyright by STAHLWILLE Eduard Wille GmbH & Co. KG, Wuppertal