

subject to technical alterations

type: L
range: 30 - 60 mm
range of indication: 29,5 - 60,5 mm
digital step: 0,01 mm
scale interval: -
measuring force: 1,2 - 1,7 N
weight: 370 g

acceptable deviations
VDI/VDE/DGQ 2618 Bl. 12.1/13.1)
max. permissible
errors "G": 0,04 mm
repeatability "r": 0,02 mm
reference temperature: 20° C
operation temperature: 10° C - 30° C
storage temperature: -10° C - 50° C

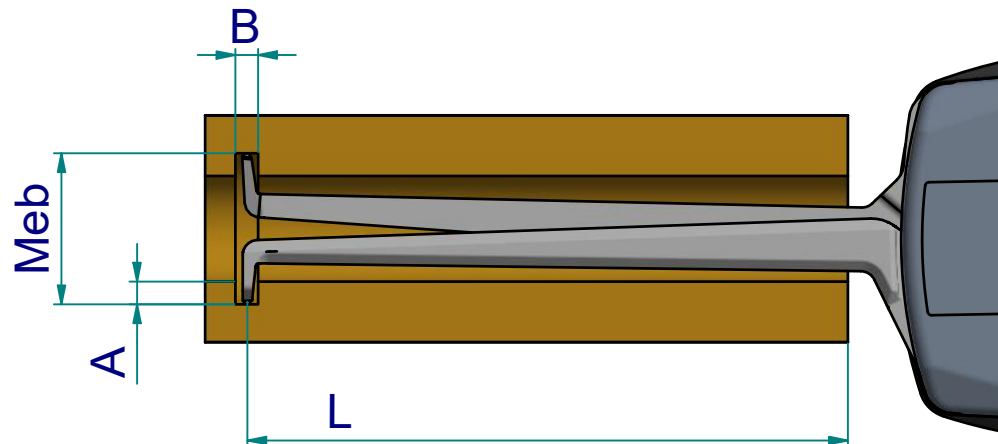
scale: 1:2
drawing-nr.: DAB-L330-K-e
date of issue: 05.03.2021
name: B. Schmidt
revision status:
revision date:

measuring capacity

| groove depth A [mm] | measuring range Meb [mm] | | | | | | | | | | | | |
|---------------------|--------------------------|-----------|-----------|-----------|-----------|-----------|-----------|-----------|-----------|-----------|-----------|-----------|-----------|
| | 30 | 32 | 34 | 36 | 38 | 40 | 42 | 45 | 48 | 51 | 54 | 57 | 60 |
| 0 | 0 / 130 | 0 / 131 | 0 / 132 | 0 / 132 | 0 / 132 | 0 / 132 | 0 / 132 | 0 / 132 | 0 / 132 | 0 / 132 | 0 / 132 | 0 / 132 | 0 / 132 |
| 1 | | 2,0 / 131 | 2,0 / 131 | 2,0 / 132 | 2,0 / 132 | 2,0 / 132 | 2,0 / 132 | 2,0 / 132 | 2,0 / 132 | 2,0 / 132 | 2,0 / 132 | 2,0 / 132 | 2,0 / 132 |
| 2 | | | 2,2 / 131 | 2,2 / 132 | 2,2 / 132 | 2,2 / 132 | 2,2 / 132 | 2,2 / 132 | 2,2 / 132 | 2,2 / 132 | 2,2 / 132 | 2,2 / 132 | 2,2 / 132 |
| 3 | | | | 2,4 / 131 | 2,4 / 132 | 2,4 / 132 | 2,4 / 132 | 2,4 / 132 | 2,3 / 132 | 2,3 / 132 | 2,3 / 132 | 2,3 / 132 | 2,3 / 132 |
| 4 | | | | | 2,6 / 131 | 2,6 / 132 | 2,5 / 132 | 2,5 / 132 | 2,5 / 132 | 2,5 / 132 | 2,4 / 132 | 2,5 / 132 | 2,5 / 132 |
| 5 | | | | | | 2,7 / 132 | 2,7 / 132 | 2,7 / 132 | 2,6 / 132 | 2,6 / 132 | 2,6 / 132 | 2,6 / 132 | 2,6 / 132 |
| | | | | | | | | | | | | | |
| | B / L | | | | | | | | | | | | |

B = minimum groove width [mm]
L = maximum usable arm length [mm]

Example: Meb = 36 B = 2,2
A = 2 L = 132

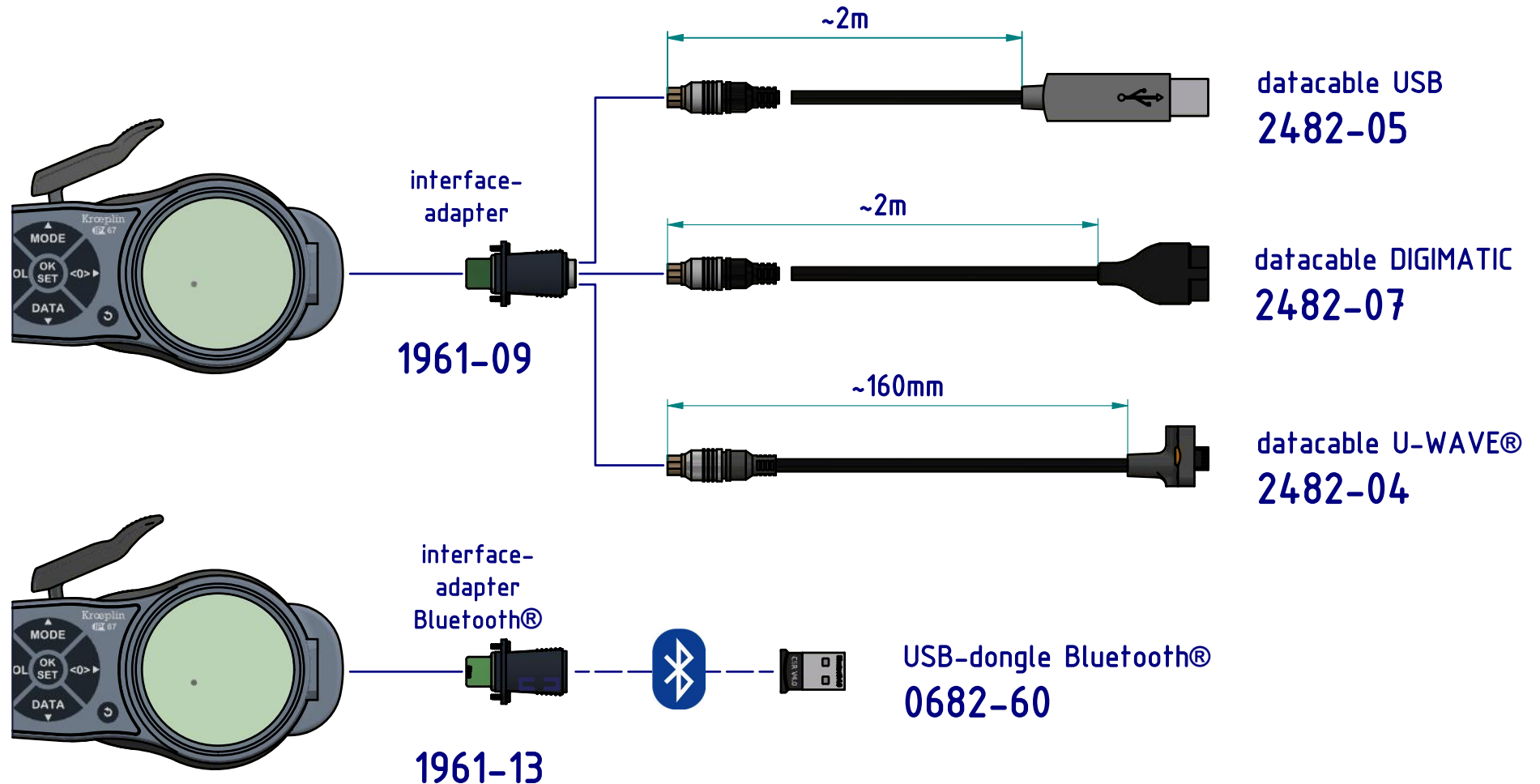


subject to technical alterations

drawing-nr.: DAB-L330-K-e
date of issue: 05.03.2021
name: B. Schmidt

revision status:
revision date:

interface as accessories available:



subject to technical alterations

| | |
|------------------|--------------|
| drawing-nr.: | DAB-L330-K-e |
| date of issue: | 05.03.2021 |
| name: | B. Schmidt |
| revision status: | |
| revision date: | |