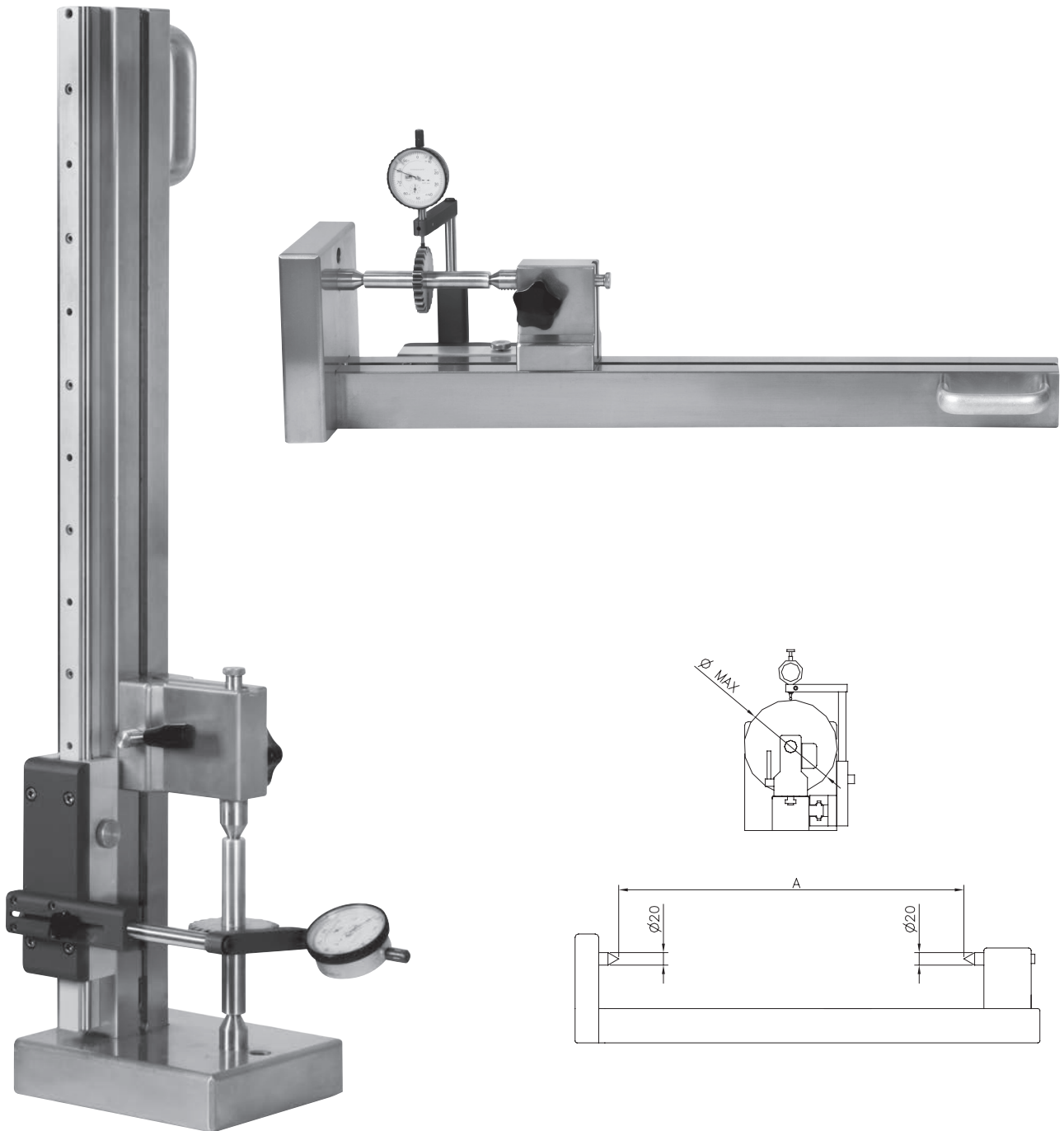




- Instrument for measuring the concentricity between tips
- To be used on vertical and horizontal position
- Heat treated steel and cast iron
- Movable arm support with dial gauge
- Tail stock center movable with register carriage
- Included dial gauge 0,01 \varnothing 40
- Max. weight 20Kg
- Banco di controllo fra le punte
- Utilizzo orizzontale e verticale
- Corpo in acciaio bonificato
- Supporto comparatore a controllo scorrevole
- Contropunta mobile a precarica registrabile
- Di serie n° 1 comparatore 0,01 \varnothing 40
- Peso massimo 20Kg



VERSION WITH ARM SUPPORT
VERSIONE CON CARRELLO

Article	A	\varnothing Max	Accuracy	Code	Kg
CUPON 550 OR	550	150	0,015	11201	36,000

VERSION WITHOUT ARM SUPPORT-DIAL GAUGE
VERSIONE SENZA CARRELLO-COMPARATORE

Article	A	\varnothing Max	Accuracy	Code	Kg
CUPON 550	550	150	0,015	11200	35,500