

# EC Counter for Linear Gauges

| Functions                     |   |
|-------------------------------|---|
| Digimatic data output         | ● |
| ON/OFF                        | ● |
| ZERO SET                      | ● |
| PRESET                        | ● |
| ABS/INC                       | ● |
| Error display/output          | ● |
| External HOLD                 | ● |
| Mm / inch switching           | ● |
| Counting direction switchable | ● |
| External PRESET / ZERO        | ● |

## Specifications

Power supply + 9 - 12 V DC 400 mA or AC adapter

Display Green LED display, 6 digits plus sign

Tolerance judgement display LED display (3 steps: Amber, Green, Red)

## Optional accessories

| No.       | Description   |
|-----------|---|
| 936937    | Digimatic Cable, Flat 10-Pin Type, 1m                   |
| 965014    | Digimatic Cable, Flat 10-Pin Type, 2m                   |
| 02AZD790D | U-WAVE-T Connection Cable D, Flat 10-Pin Type           |
| 06AFM380D | USB Input Tool Direct (Digimatic USB), Flat 10-Pin Type |



Refer to the Linear Gauge documentation for more details

This Digimatic display can be connected to any device with Digimatic output, including micrometers, indicators, calipers and LGS/LGD Linear Gauge.

It offers you the following benefits:

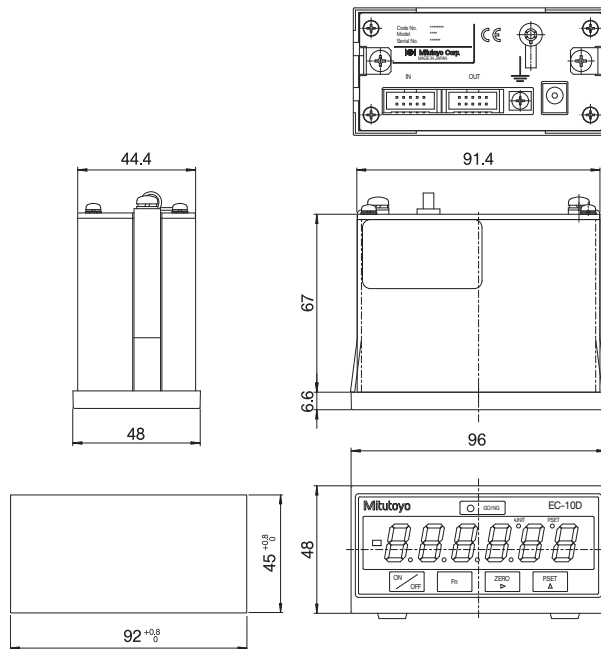
- It has a data output and tolerance evaluation function.



542-007



| No.      | Resolution [mm]                         | Input signal type | Applicable gauge   | Gauge inputs |
|----------|---|-------------------|--|--------------|
| 542-007D | 0,001/0,01 (automatic setting by gauge) | Digimatic code    | Digimatic Indicator<br>Digimatic Scale Units<br>Linear Gauge LGS/LGD | 1            |
| 542-007E | 0,001/0,01 (automatic setting by gauge) | Digimatic code    | Digimatic Indicator<br>Digimatic Scale Units<br>Linear Gauge LGS/LGD | 1            |



542-007