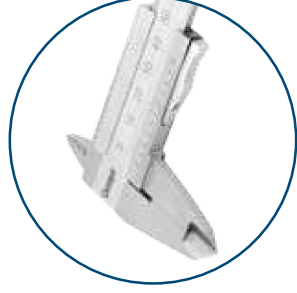


MONOBLOCK VERNIER CALIPER

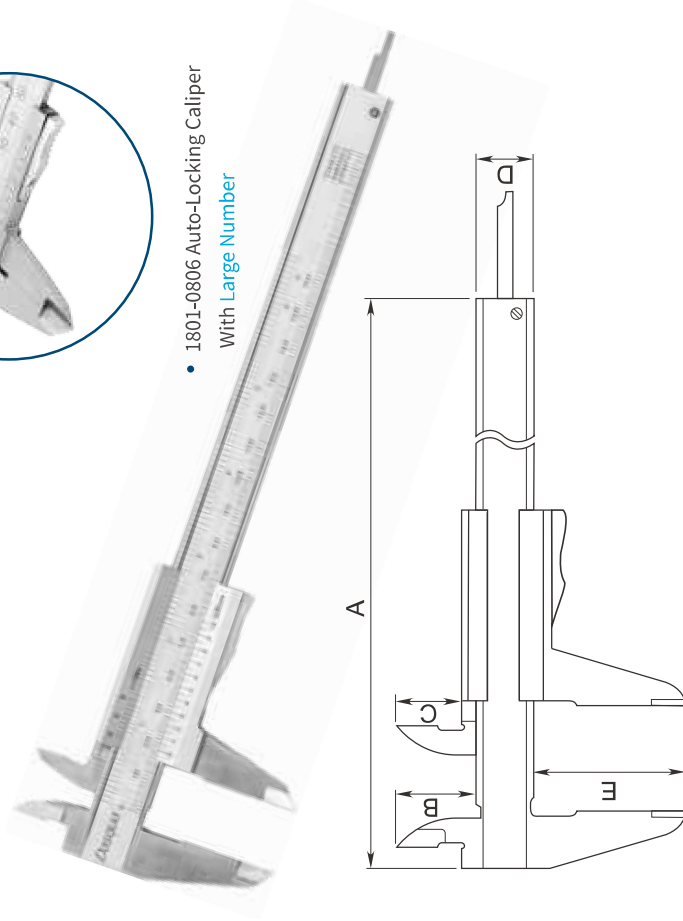
WITH AUTO-LOCKING



DIN 862



- 1801-0806 Auto-Locking Caliper
With Large Number



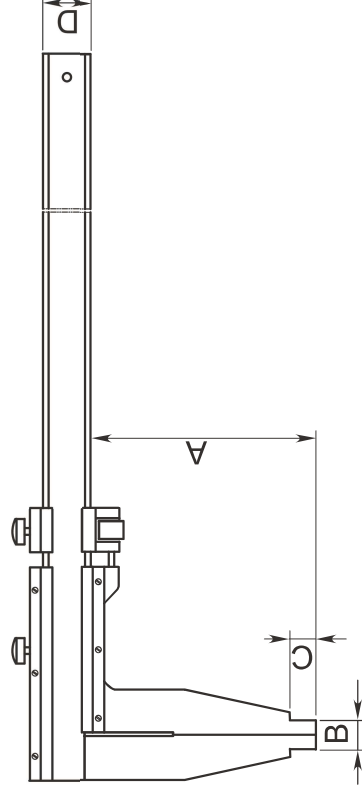
- The whole blade of the beam is vacuum hardened with uniform hardness, guaranteeing wear-resistance and longer service life
- The upper and lower parts of the ruler are precisely ground to ensure smooth use
- Strictly in accordance with DIN862 standard
- Made of high quality stainless steel

Unit:mm

Code	Range	Graduation	A	B	C	D	E	Accuracy
1801-0810	0-150/0-6"	0.05/1/128"	235	21	16.5	16	40	0.05
1801-0809	0-150/0-6"	0.02/0.001"	235	21	16.5	16	40	0.03
1801-0806	0-150	0.05	235	21	16.5	16	40	0.05

VERNIER CALIPER

WITH NIB STYLE JAWS



- With fine adjustment
- Hardened ground jaws with precision lapped measuring faces
- Satin chrome finish, hardened stainless steel throughout for longer life
- Distinct lines and figures etched against satin chrome finish

Unit:mm

Code	Range	Graduation	A	B	C	D	Accuracy
1300-0005	0-500/0-20"	0.02/0.001"	100	10	12	25	±0.05
1300-0006	0-500/0-20"	0.02/0.001"	150	10	12	32	±0.05
1300-0010	0-600/0-24"	0.02/0.001"	100	10	12	25	±0.05
1300-0011	0-600/0-24"	0.02/0.001"	150	10	12	32	±0.05
1300-0015	0-1000/0-40"	0.02/0.001"	125	20	18	32	±0.07
1300-0016	0-1000/0-40"	0.02/0.001"	200	20	18	32	±0.07
1300-0020	0-1500/0-60"	0.02/0.001"	150	30	20	41.5	±0.11
1300-0025	0-2000/0-80"	0.02/0.001"	200	30	20	52	±0.14