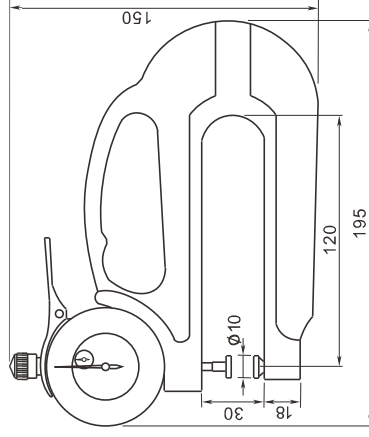


THICKNESS GAUGE WITH DEEP-THROAT

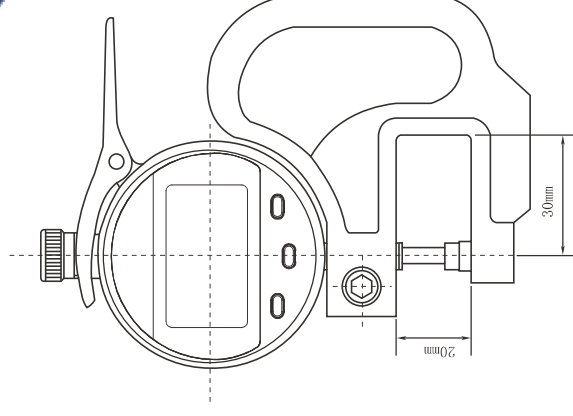


- Contact point and the flat anvil are ceramic for corrosion resistance
- 120mm throat for measuring the thickness of items where a greater depth is required
- Grip handle, thumb trigger, and spring-loaded spindle for accurate measurements
- Provide quick and efficient inspection of thickness

Code	Range	Graduation	Accuracy
5841-1105	0-10	0.01	±0.02
5841-1110	0-20	0.01	±0.03
5842-4110	0-0.5"	0.0005"	±0.001"

Unit:mm

DIGITAL THICKNESS GAUGE



- Thickness gauges are attachment to the dial indicators and offer a quick and efficient means with a convenient grip handle to measure the thickness of paper, leather, rubber, fabric, metal plate, glass, plastic plate, etc
- With large LCD Screen and provide error-free reading
- With ceramic measuring faces
- With convenient grip handle, thumb trigger and spring-loaded spindle for accurate measurements

Code	Range	Resolution	Accuracy
5840-6200	0-10/0-0.4"	0.01/0.0005"	±0.02

Unit:mm