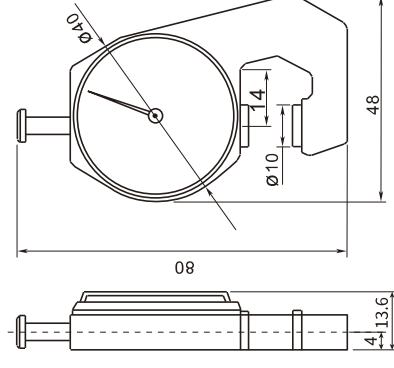


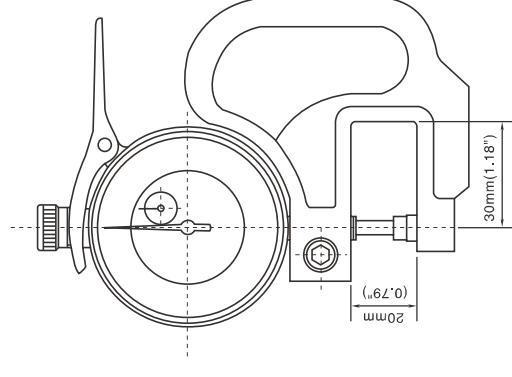
# THICKNESS GAUGE



- Thickness gauges are attachment to the dial indicators and offer a quick and efficient means with a convenient grip handle to measure the thickness of paper, leather, rubber, fabric, metal plate, glass, plastic plate, etc
- With steel or ceramic measuring faces
- Sturdy light metal frame, lacquered, with spindle lifting lever
- Stainless spindle, hardened and precision ground

Unit:mm

Code	Range	Graduation	Accuracy
5841-8110	0-10	0.1	±0.05



## • 5841-8105

- Thickness gauges are attachment to the dial indicators and offer a quick and efficient means with a convenient grip handle to measure the thickness of paper, leather, rubber, fabric, metal plate, glass, plastic plate, etc
- With ceramic measuring faces
- Sturdy light metal frame, lacquered, with spindle lifting lever
- Stainless spindle, hardened and precision ground

Unit:mm

Code	Range	Graduation	Accuracy
5841-8105	0-10	0.01	±0.02
5841-8106	0-30	0.01	±0.035
5842-4105	0-0.5"	0.0005"	±0.001"