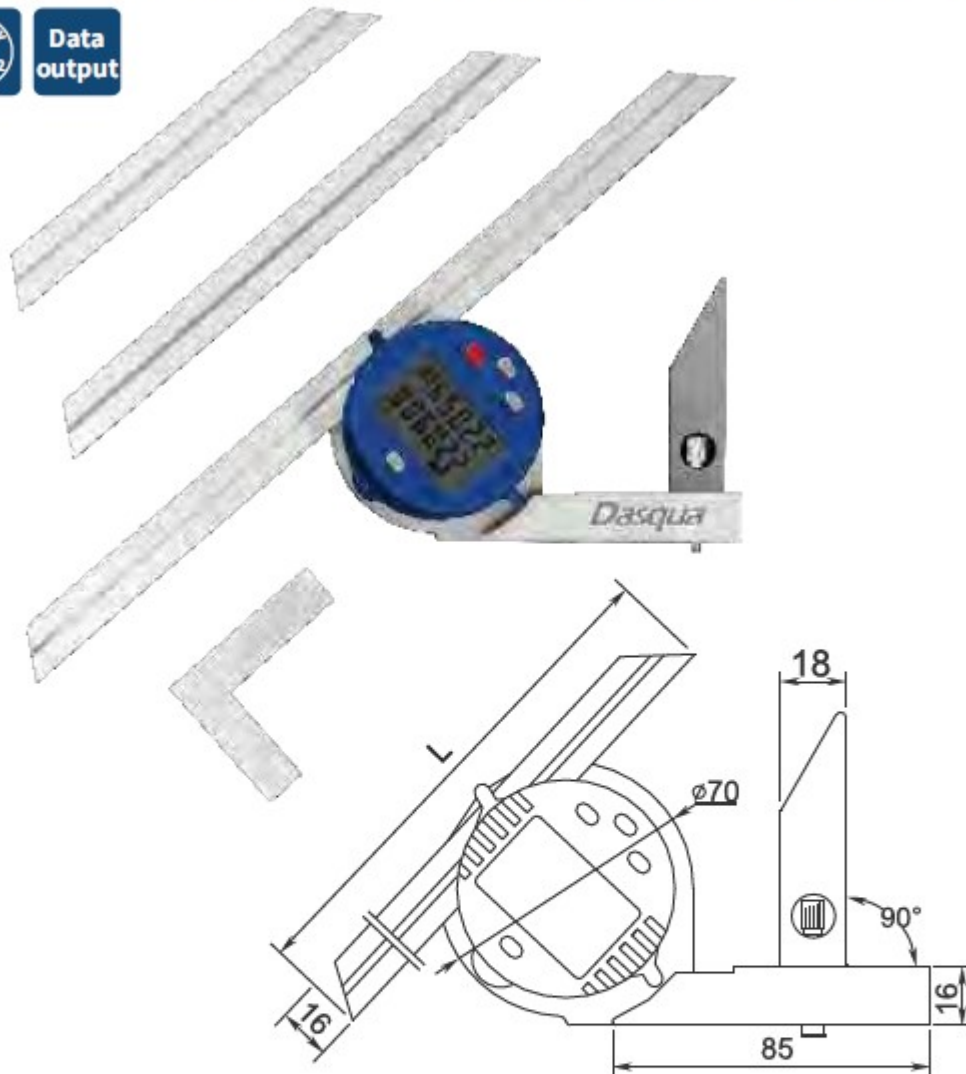





UNIVERSAL DIGITAL PROTRACTOR



L=150MM/200MM/300MM

- 
 - Made of stainless steel
 - Large digital display for easy reading
- 
 - Measuring surface hardened, ground and lapped ensures smooth movement
 - Satin chrome finish, anti-rust and durable
- 
 - Provided with three blades (150mm, 200mm, 300mm)

Unit:mm

Code	Range	Resolution	L	Accuracy
1021-2005	0-360°	10"	150/200/300	±5'