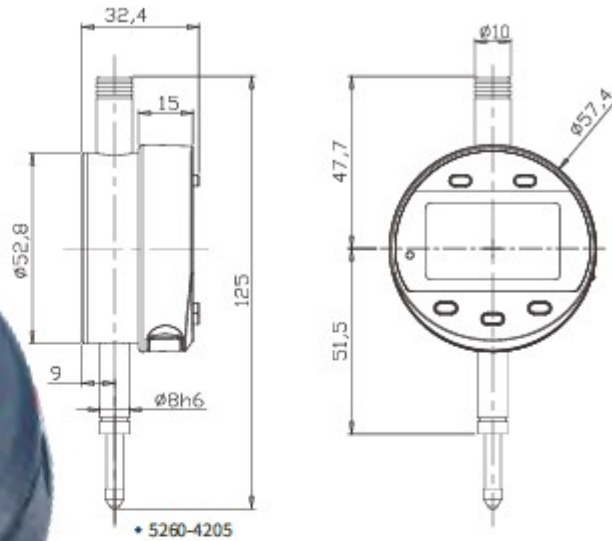





# DIGITAL INDICATOR

WITH 0.001MM RESOLUTION AND TOLERANCE ALARM



- 
  - Calibration certificate provided with total forward error, hysteresis error, total error and deviation error on it
- 
  - Watchcase made of high-strength aluminum alloy guaranteeing low deformation
  - Glass grating for high accuracy and stable performance
- 
  - Temperature and humidity test for each product, ensuring the normal use of each in harsh environment
  - Copper sleeve and rod precisely ground to reduce shaking
  - The functions of tolerance set and tolerance alarm are optional. Alarm light is also available for quick-checking products' tolerance

Unit:mm

Code	Range	Resolution	Accuracy
5260-4205	0-12.7/0-0.5"	0.001/0.00005"	0.004
5260-4210	0-25.4/0-1.0"	0.001/0.00005"	0.005
5260-4215	0-50.8/0-2.0"	0.001/0.00005"	0.006
5260-4220	0-101.6/0-4"	0.001/0.00005"	0.010