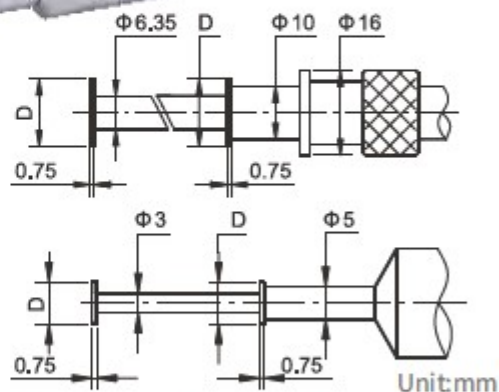
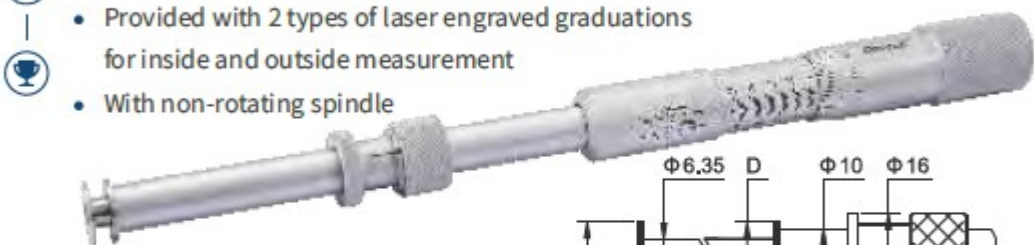


GROOVE MICROMETER

- Strictly made in accordance with DIN863
- Flanged measuring faces for measuring width, depth, and location of grooves inside bores
- Provided with 2 types of laser engraved graduations for inside and outside measurement
- With non-rotating spindle

DIN
863



Code	Range	Graduation	Parallelism	D	Accuracy
4861-0005	0-25	0.01	0.01	φ6.5	0.01
4861-0010	25-50	0.01	0.01	φ13	0.01
4861-0015	50-75	0.01	0.01	φ13	0.01
4861-0020	75-100	0.01	0.01	φ13	0.01