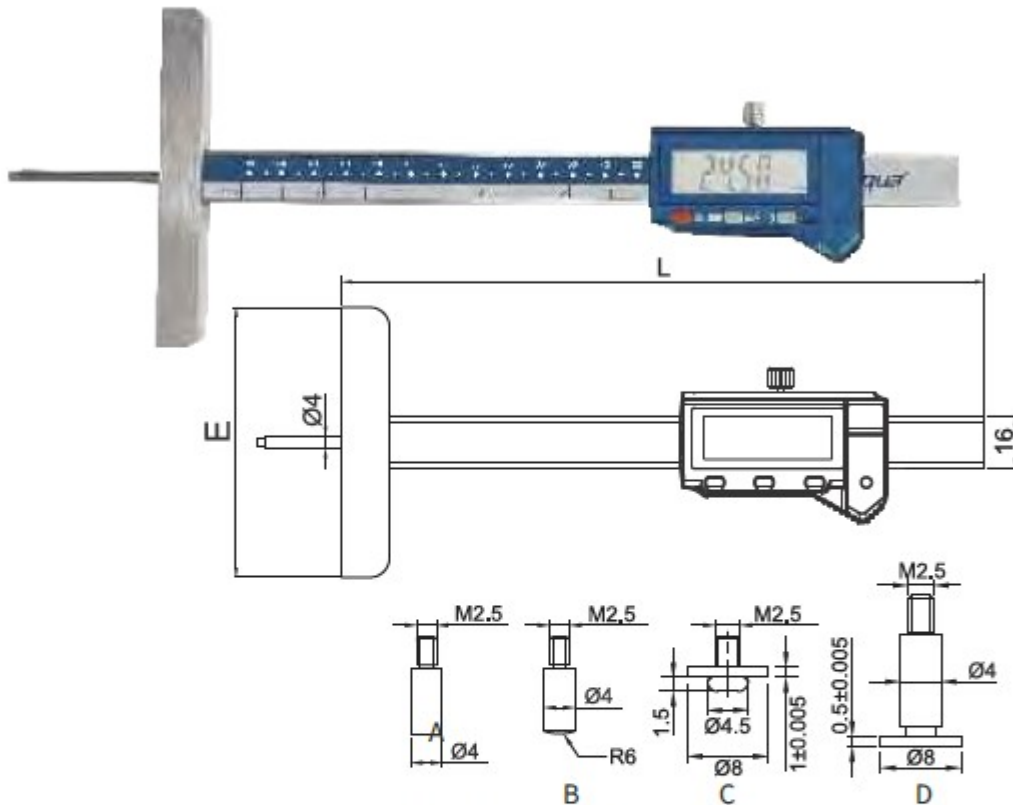


DIGITAL DEPTH GAUGE

WITH ROUND DEPTH BAR



Remark: 4 types of contact points optional

- Specially designed for narrow bore depth
- With thin and long depth measuring bar
- Pointed contact, flat contact or spherical contact is optional.
- Made of high quality stainless steel
- Zero setting at any position

Unit:mm

Code	Range	Resolution	L	E	Accuracy
2730-0010	0-100/0-4"	0.01/0.0005"/1/128"	200	85	±0.02
2730-0015	0-120/0-4.7"	0.01/0.0005"/1/128"	300	101	±0.03
2730-0020	0-200/0-8"	0.01/0.0005"/1/128"	300	101	±0.03
2730-0025	0-300/0-12"	0.01/0.0005"/1/128"	400	101	±0.04